

LaserMatrix®
Series 2400 Laser Printers

Replacement Parts Catalog



COPYRIGHT © 1996, OUTPUT TECHNOLOGY CORPORATION

All rights reserved. This document may not, in whole or in part, be copied, photocopied, reproduced, translated, reduced to any electronic medium or machine readable form without prior consent, in writing, from Output Technology Corporation.

Output Technology Corporation
2310 North Fancher Road — Spokane, WA 99212-1381
(509) 536-0468

We suggest you use genuine Output Technology parts and authorized service centers: Contact us at —

Voice: (509) 536-0468 — Fax: (509) 533-1280

Output Technology maintains a Bulletin Board System (BBS) service. In the U.S.A., call (509) 533-1217 to access our BBS service for the very latest drivers, firmware, pricing, maintenance and troubleshooting aids, and application information. Also you can contact us at —

FTP: [ftp.output.com/public/output](ftp://ftp.output.com/public/output)
WWW: <http://www.output.com>

Part No: 066-00495-00
Rev. C

GENERAL

This catalog contains itemized lists of all servicing aids, supplies, expendables, and field replaceable parts for all models of the printer. Ordering information is provided for field replaceable units (FRUs). FRUs are illustrated at the end of this publication.

Parts are listed in the following tables —

- Customer Replaceable Units (CRUs) and Miscellaneous, Page 2
- Field Service Tools, Page 3
- Field Replaceable Units (FRUs), Page 4

FRU illustrated parts breakdown drawings —

- Main and Lid Access, Pages 7, 8, and 9
- Paper Path, Pages 10 and 11
- Fuser, Pages 12, 13, and 14
- Right Side and Frame, Pages 15 and 16
- Left Frame Assembly, Page 17
- Engine Controller, Page 18
- Raster Image Processor, Page 19
- Low Voltage Power Supply, Page 20

ORDERING INFORMATION

To order a field replaceable unit (FRU), proceed as follows:

1. Find the appropriate item number from the illustrations at the end of this publication.
2. From the FRU table on Page 4, match the item number to the FRU part number.
3. Obtain the serial number of your printer (on the right side of the printer).
4. If applicable, have your Visa or MasterCard number and expiration date ready, and then contact **Output Technology Corporation** by phone, fax, mail as instructed on the inside cover of this publication.

To order customer replaceable units (CRUs) or other miscellaneous items, select from the following table and then continue as directed in Step 4 above.

CUSTOMER REPLACEABLE UNITS (CRUs) AND MISCELLANEOUS

Order Number	Description
Customer Replaceable Units (CRUs)	
LM2400C101	Developer Kit, containing — (1) Startup Toner Bottle (1) Toner Bottle Sprout (1) Developer Unit (1) Ozone Filter (1) Cleaning Kit (080-00072-XX)
LM2400C102	Drum Kit, containing — (1) Drum Cartridge
LM2400C103	Toner Kit, containing — (2) Toner Bottles (1) Toner Bottle Spout (2) Waste Toner Bottle (2) Felt Cleaning Pads
LM2400C104	Fuser Kit, 115 VAC ¹
LM2400C106	Felt Cleaning Pad Kit (package of 10 felt pad assemblies)
LM2400C107	Fuser Kit, 230 VAC ¹
LM2400C108	Fuser Kit, Label/Tag, 115 VAC ^{1,2}
022-00184-XX	Starter Kit ³

¹ Consists of one fully assembled fuser heater and pressure assembly, including rollers, heat lamp, thermistor, thermal breaker, heat shield, felt pad, and felt pad cover.

² Same as LM2400C104 but with the thermistor mounted on the right end of the assembly rather than in the middle. In general, consider using LM2400C108 with printers dedicated to printing narrow labels and tags.

³ Contains LM2400C101, LM2400C102, and LM2400C103.

Order Number	Description
CRUs (Continued)	
080-00072-XX	Cleaning Kit, containing — (5) Wipes (5) Large-tipped swabs (1) Brush for cleaning corona wires
Publications	
066-00492-XX	Manual, Installation Guide
066-00493-XX	Manual, Operator's Guide
066-00495-XX	Manual, Parts Catalog
066-00496-XX	Manual, Maintenance ⁴
Shipping	
046-00324-XX	Ship Kit

FIELD SERVICE TOOLS (Recommended)

- Screwdrivers
 - #1 Phillips
 - #2 Phillips
- Hex Allen wrench, 2.5 mm
- 0.74 mm feeler gauge
- Diagonal cutters
- Needle nose pliers
- Digital voltmeter
- Cable ties
- Toner vacuum cleaner⁵
- Varnish (for fixing small screws and adjustments)
- Cleaning kit (080-00072-XX). See "CRUs and Miscellaneous."

⁴ Includes Maintenance Manual LM1000M105 and Parts Catalog 066-00495-XX.

⁵ Such as 3M Model 497 (115 vac) with a standard toner filter.

FIELD REPLACEABLE UNITS (FRUs)

Item	Figure	FRU Part No.	Description	Qty Per Printer
1	6	001-00333-XX	Contact, Earth Ground	1
2	3a	001-00929-XX	Guide, Paper, Top-Of-Form	1
3	5	002-00264-XX	Housing, Ozone Filter, Plenum	1
4	1a	002-00265-XX	Cover, Tractor Sensor	1
5	7	002-00274-XX	Lid Catch, Left	1
6	6	002-00275-XX	Lid Catch, Right	1
7	6 & 7	002-00279-XX	Latch, Developer, Retaining, Green	2
8	2	002-00333-XX	Cover, Erase LED	1
9	1a	002-00583-XX	Cover, Right Inside	1
10	4a	002-00584-XX	Heat Shield, Fuser, Lower	1
11	1a	002-00585-XX	Cover, Lamp Connector	1
12	4b	002-00586-XX	Cover, Fuser Felt Pad	1
13	4b	002-00587-XX	Heat Shield, Fuser, Upper	1
14	1b	002-00588-XX	Cover, Bottom	1
15	2	002-00589-XX	Cover, Hinge, Right	1
16	2	002-00590-XX	Cover, Hinge, Left	1
17	3a	002-00591-XX	Guide, Paper, Entrance	1
18	3a	002-00592-XX	Guide, Paper, Exit	1
19	3a	002-00599-XX	Roller, Pressure Exit	2
20	1a	009-00039-XX	Enclosure, Right Side	1
21	1a	009-00074-XX	Cover, Front (Front Door)	1
22	1a	020-00205-XX	Cable, Control Panel	1
23	2	020-00206-XX	Cable, LSU	1
24	2	021-00274-XX	Catch Release Assembly, LID	1
25	2	021-00276-XX	Latch Pin Assembly, Top Cover, Right	1
26	3b	021-00279-XX	Slide Arm Assembly	1
27	2	021-00280-XX	Enclosure Release Button Assembly	1
28	2	021-00306-XX	Erase LED Assembly	1
29	1a	021-00314-XX	Left Enclosure, With Mounting Bracket	1
30	2	021-00649-XX	Laser Scan Unit	1
31	5	021-00650-XX	Drive Assembly, Front-End	1
33	3a	021-00652-XX	Guide, Paper, Main	1
34	3b	021-00653-XX	Transfer Charger Assembly	1
35	3b	021-00654-XX	Tractor Assembly	1

FIELD REPLACEABLE UNITS (FRUs)

Item	Figure	FRU Part No.	Description	Qty Per Printer
36	6	021-00655-XX	Frame Assembly, Right	1
37	7	021-00656-XX	Frame Assembly, Left	1
38	4a	021-00657-XX	Fuser (Heater & Pressure) Assembly, 115 VAC ⁶	1
39	4a	021-00658-XX	Fuser Base	1
40	2	021-00659-XX	Top Cover Assembly, With Release Button	1
41	4b	021-00660-XX	Heat Roller Subassembly, Without Lamp	1
42	4b	021-00661-XX	Pressure Roller Subassembly	1
43	4b	021-00662-XX	Thermal Breaker Assembly	1
44	3b	021-00663-XX	Stepper Motor Assembly, Tractor	1
45	3a	021-00664-XX	Cover Assembly, Paper Exit	1
46	1a	021-00665-XX	Control Panel (Keypad) Assembly	1
47	4b	021-00666-XX	Fuser Heater Assembly, 115 VAC ⁷	1
48	4b	021-00667-XX	Fuser Heater Assembly, 230 VAC	1
49	4b	021-00668-XX	Fuser Pressure Assembly	1
50	3a	021-00680-XX	Tension Roller Assembly	1
51	3b	021-00682-XX	High Voltage Power Supply	1
52	4a	021-00685-XX	Fuser (Heater & Pressure) Assembly, 230 VAC	1
53	4a	021-00693-XX	Fuser (Heat & Pres) Assy, Label/Tag, 115 VAC ⁸	1
54	1a	035-00039-XX	Overlay, Keypad	1
55	1b	040-00172-XX	PCB, Backplane	1
56	8	040-00173-XX	PCB, Engine Controller (EC) ⁹	1
57	10	040-00174-XX	PCB, DIMM, RIP Firmware, LM2405	1
58	9	040-00176-XX	PCB, Raster Image Processor (RIP) ¹⁰	1
59	7	040-00178-XX	PCB, Toner Sensor	1
60	4c	040-00179-XX	PCB, Fuser Sensor	1
61	5	040-00180-XX	PCB, Motor Controller	1
62	3b	040-00181-XX	PCB, Tractor Encoder	1
62.5	10	040-00182-XX	PCB, DIMM, RIP Firmware, LM2406	1

⁶ Order LM2400C104 (Page 2) which is a kit containing 021-00657-XX. (For printers dedicated to printing narrow labels and tags, consider using item 021-00693-XX.)

⁷ For 115 vac printers dedicated to printing narrow labels and tags, consider using item 021-00693-XX.

⁸ Order LM2400C108 (Page 2) which is a kit containing 021-00693-XX.

⁹ Does not include firmware. See 043-00370-XX in this table.

¹⁰ Also see 046-00348-XX.

FIELD REPLACEABLE UNITS (FRUs)

Item	Figure	FRU Part No.	Description	Qty Per Printer
64	8	043-00370-XX	EPROM, EC Firmware	1
64.5	1b	046-00348-XX	Kit, PCB,RIP Controller ¹¹	1
65	1b	046-00890-XX	Low Voltage Power Supply, Modified	1
66	5	082-00201-XX	Gear, Inner Transfer, Front-End	1
67	5	082-00204-XX	Gear, Main Drive, Front-End	1
68	5	082-00415-XX	Actuator, Drum Sensor	1
69	4c	097-00127-XX	Clutch, Fuser	1
70	5	107-00102-XX	Motor, Front-End Drive (With Gear)	1
71	5	107-00104-XX	Fan, Ozone	1
72	4c	107-00105-XX	Fan, Fuser Cooling	2
73	4c	107-00106-XX	Motor, Fuser	1
74	4b	113-00153-XX	Thermistor Assembly	1
75	3a	116-00122-XX	Sensor, Paper Empty	1
76	4b	116-00123-XX	Halogen Heat Lamp, 115 VAC	1
77	4c	116-00124-XX	Sensor, Paper Jam	2
78	11	116-00125-XX	Fuse, 125V, 15 A. (F3) ¹²	1
79	4b	116-00126-XX	Thermal Breaker	1
80	4b	116-00127-XX	Halogen Heat Lamp, 230 VAC	1
81	11	116-00128-XX	Fuse, 250V, 6.3 A., Time-Delay (F1 & F2) ¹³	2

¹¹ Contains RIP Controller PCB (040-00176-XX) plus standard-interface-connector (back) panel and optional-interface holder with cover plate.

¹² ¼ in. by 1¼ in. F3 is used with a 115 vac halogen heat lamp

¹³ 5 mm by 20 mm. F1 is the main fuse and F2 is used with a 230 vac halogen heat lamp.

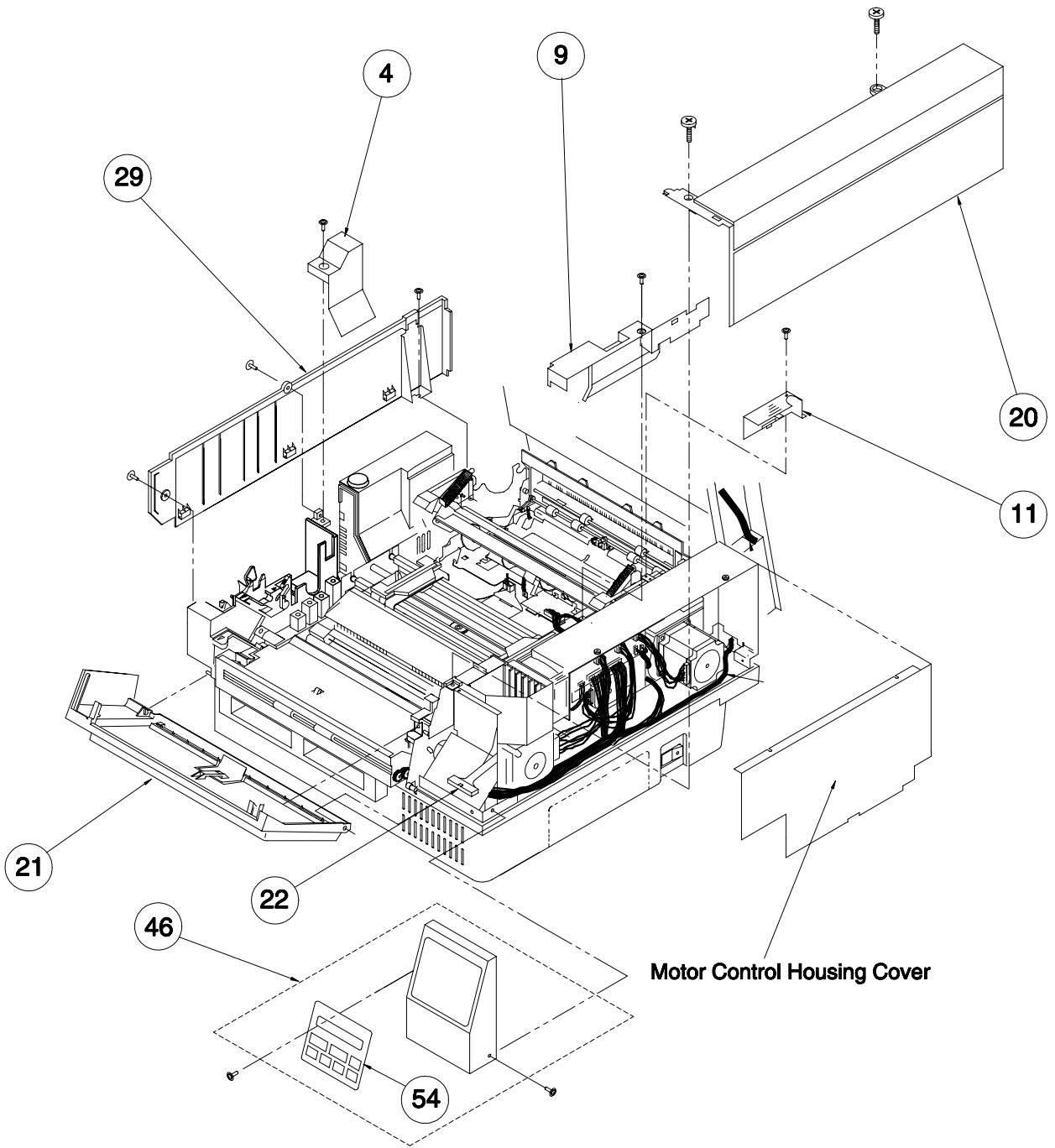


Figure 1a. Main Upper Access

PD1-A1

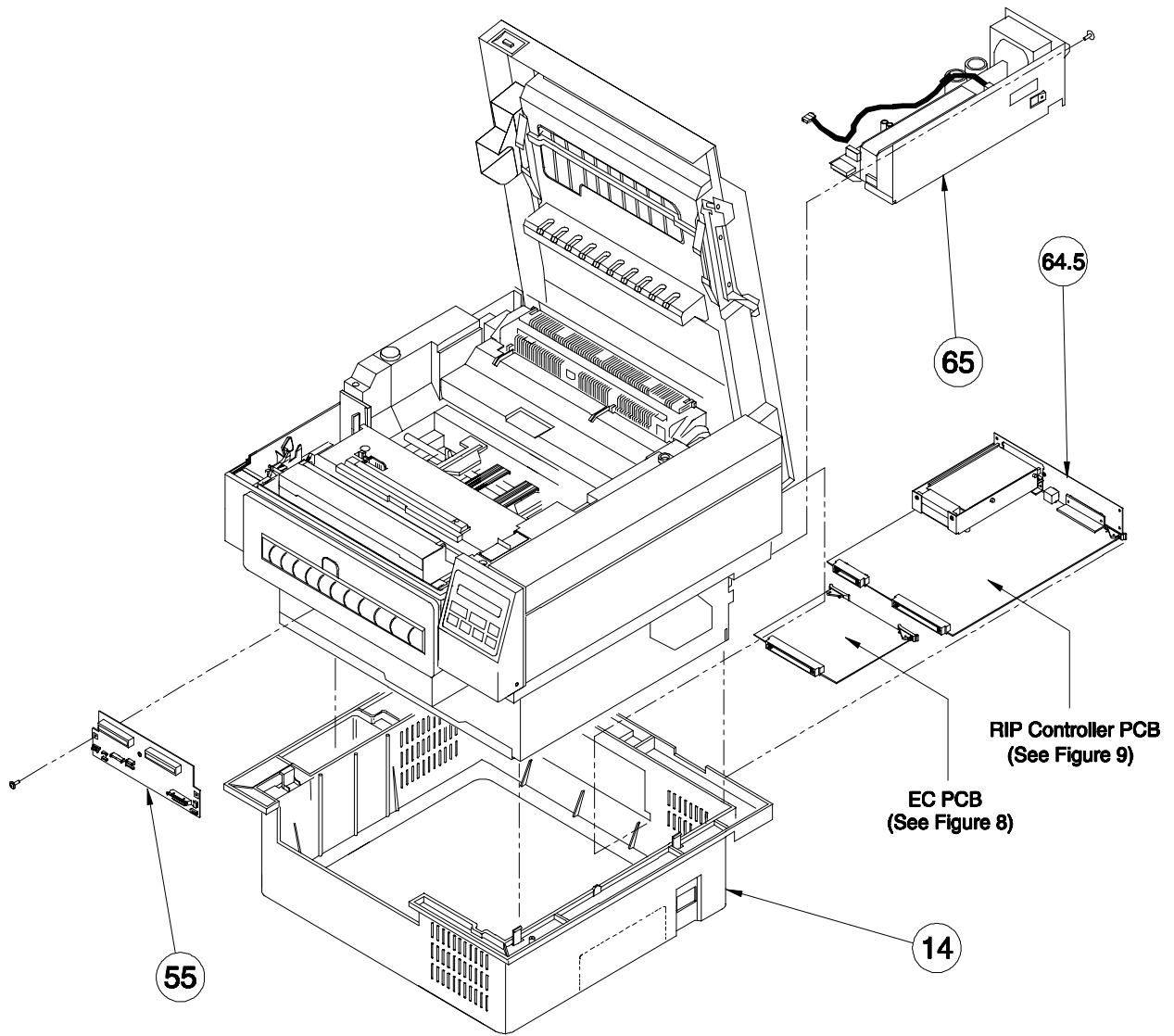


Figure 1b. Main Lower Access to LVPS & Backplane

PD1-B2

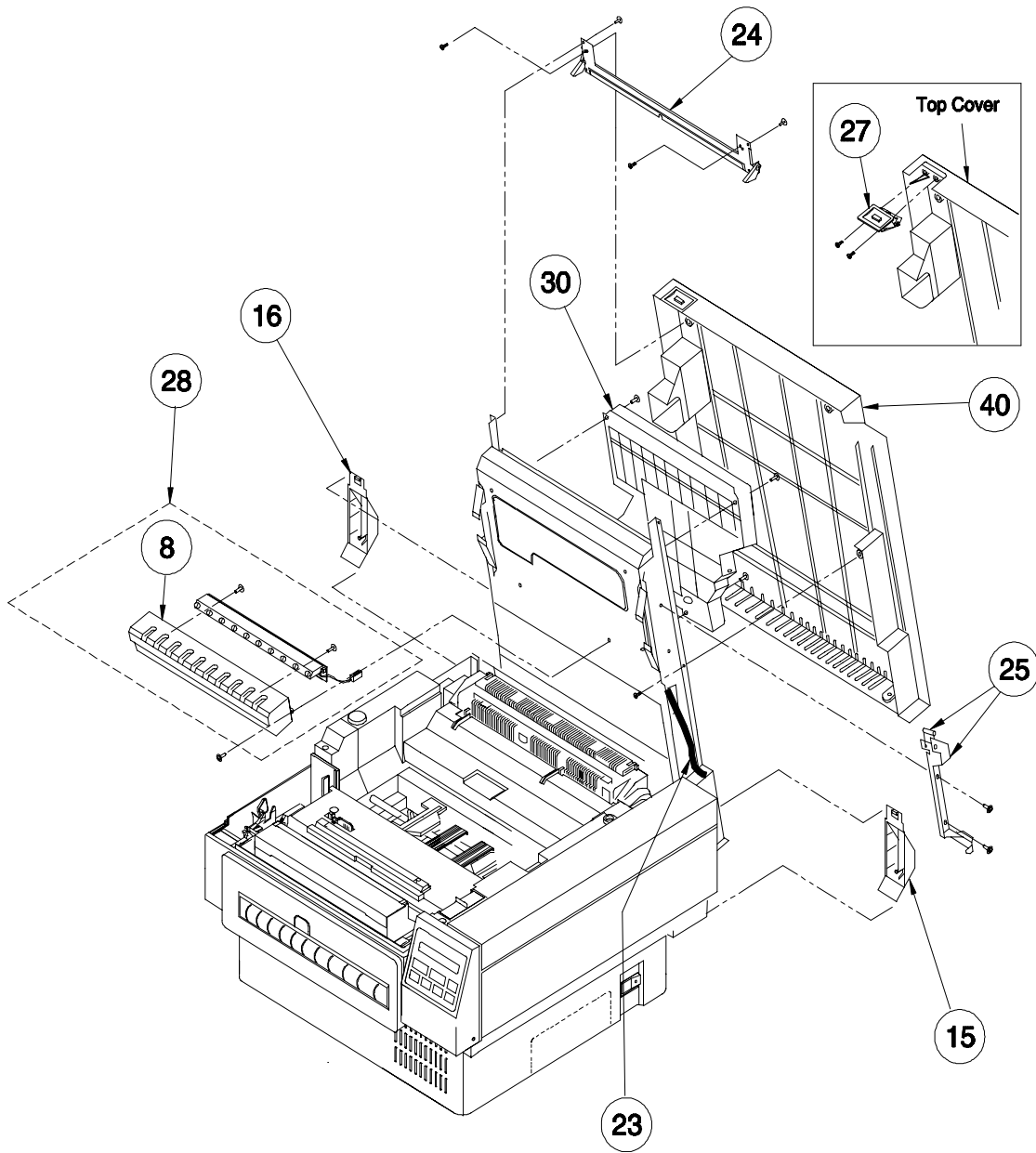


Figure 2. Lid Access

PD1-C1

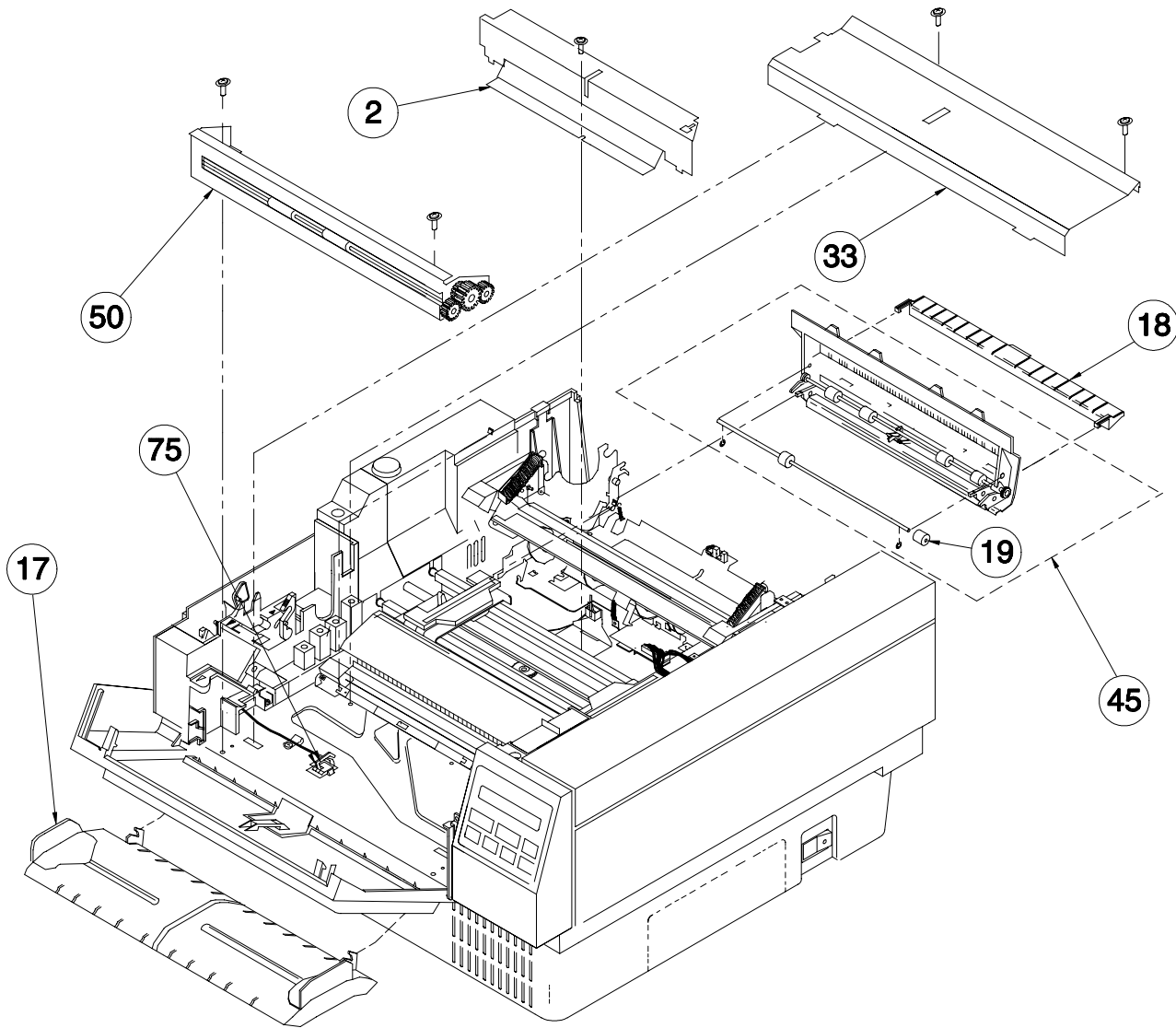


Figure 3a. Paper Path

PD1-D1

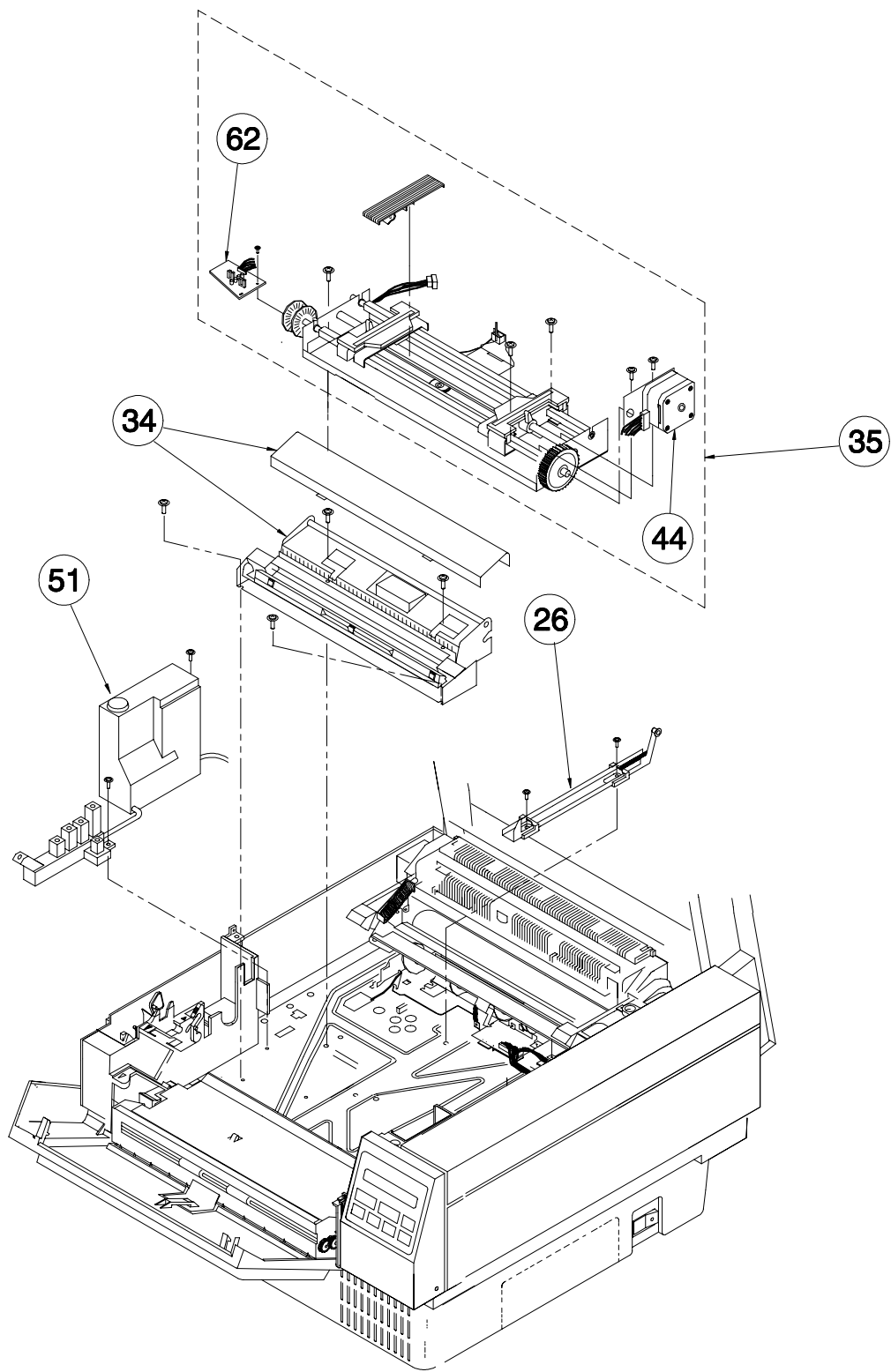
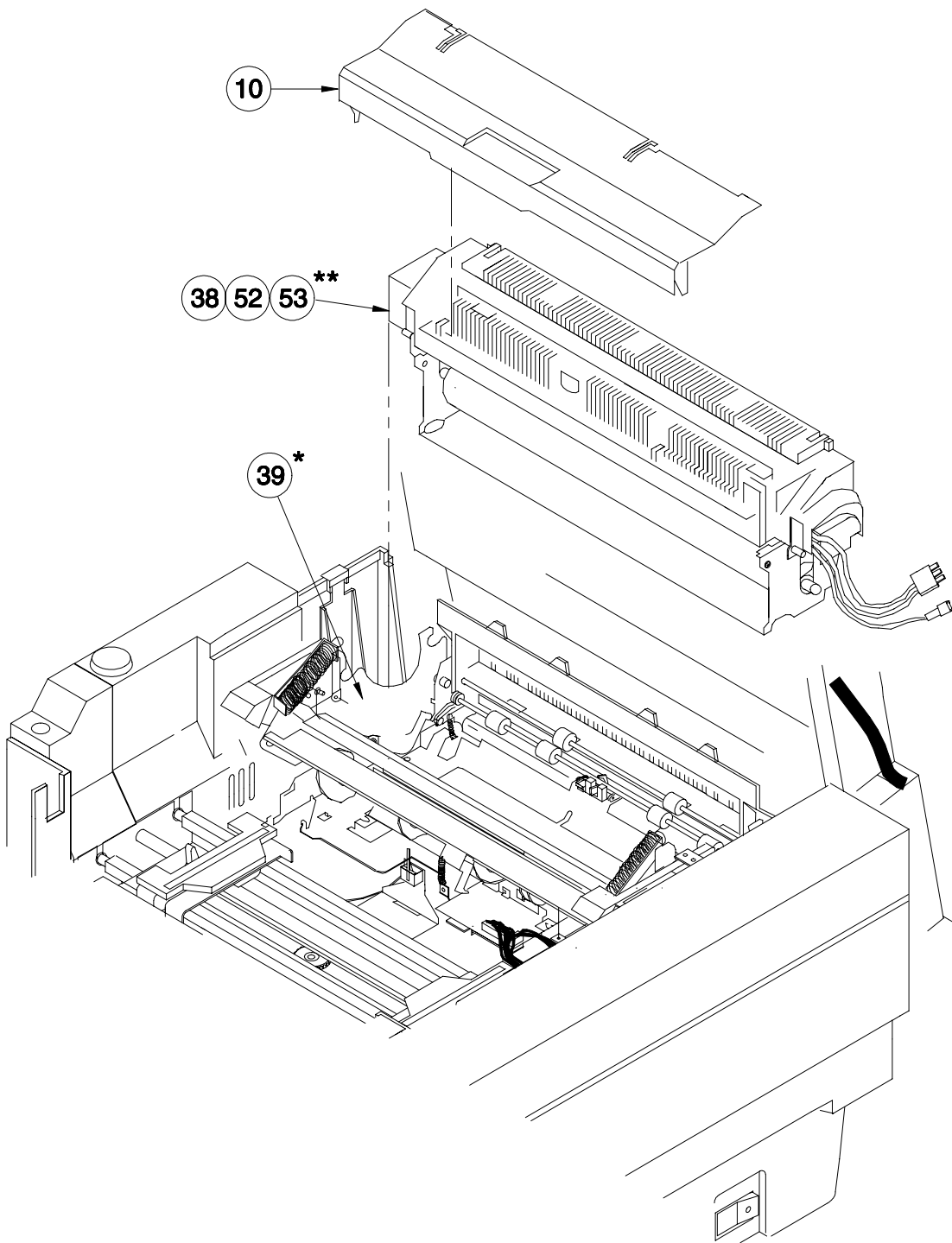


Figure 3b. Paper Path

PD1-E1



* See Figure 4c for disassembly of fuser base assembly.

** See Figure 4b for disassembly of fuser heater & pressure assemblies.

Figure 4a. Fuser Assemblies

PD1-F1

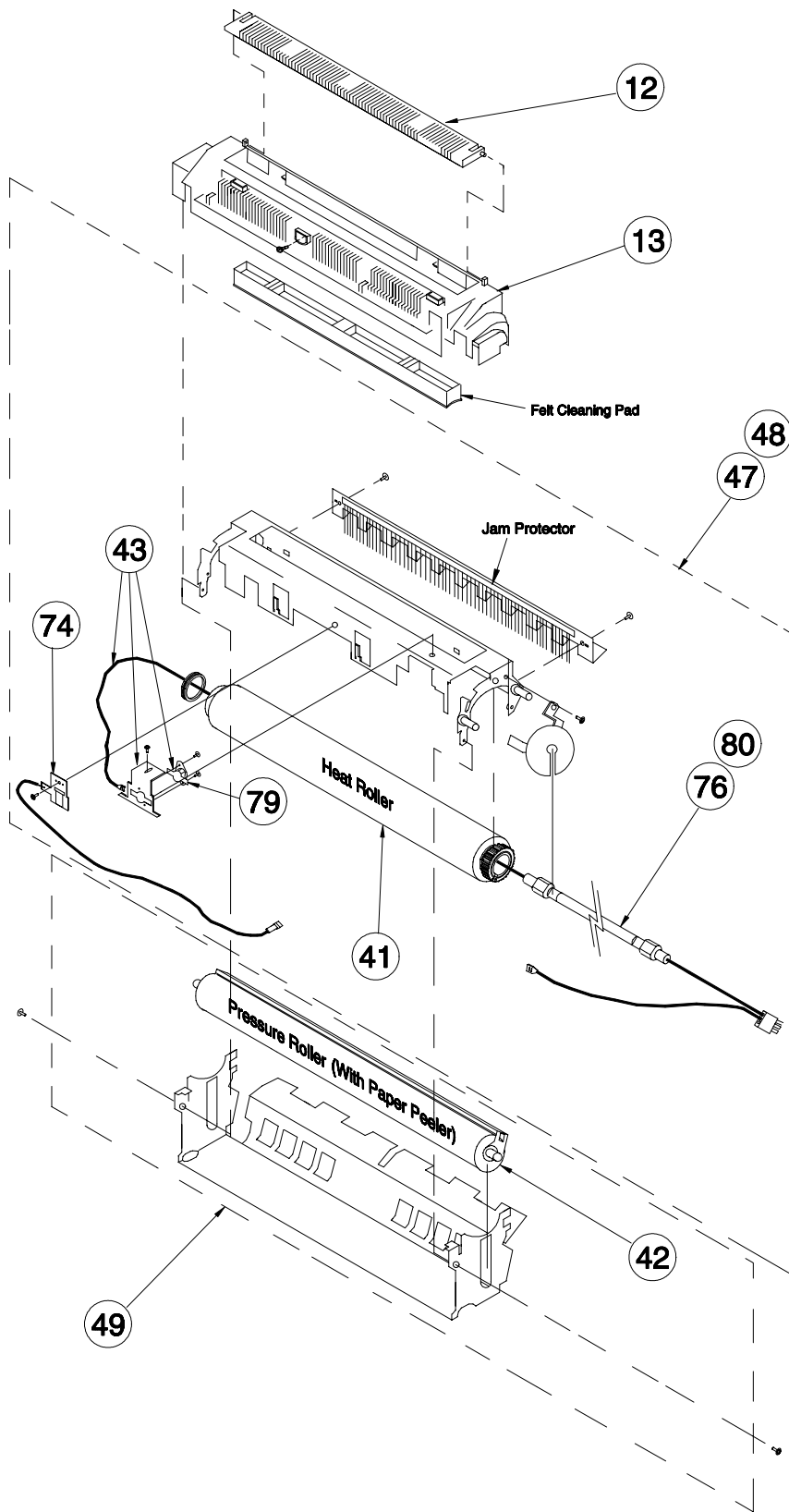


Figure 4b. Fuser Heater & Pressure Assembly

PD1-G1

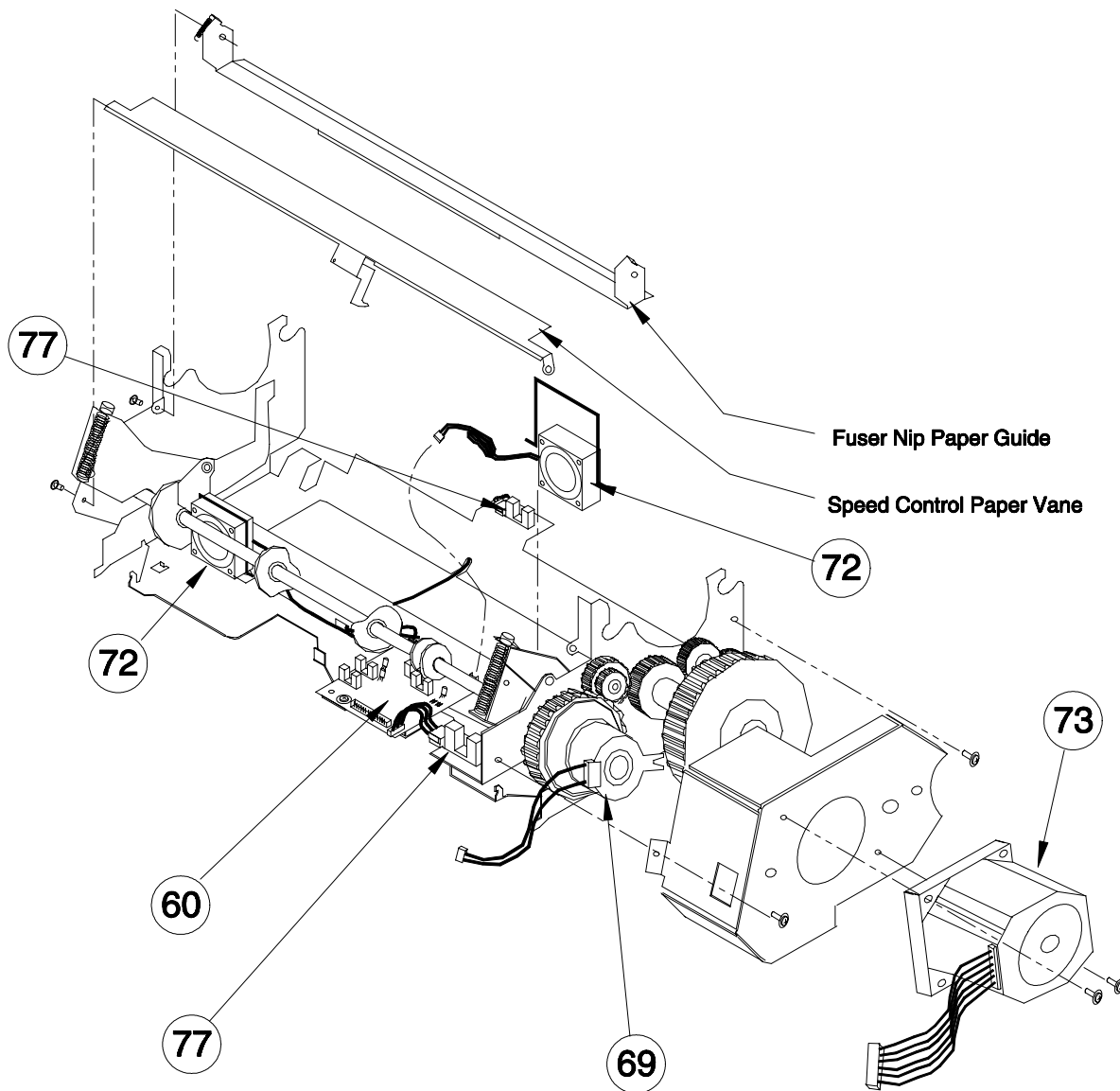


Figure 4c. Fuser Base Assembly

PD1-H1

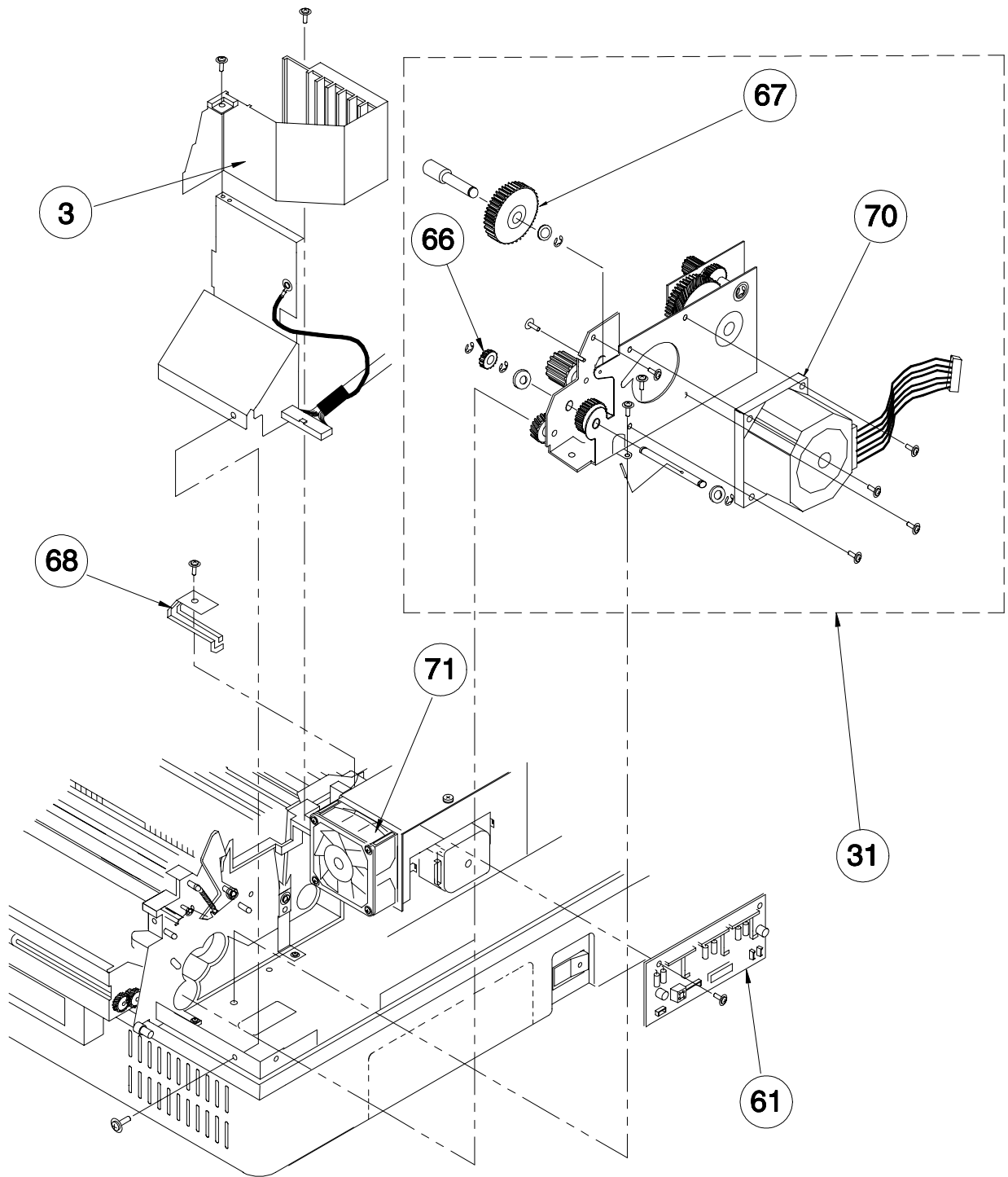


Figure 5. Right-Front Corner

PD1-11

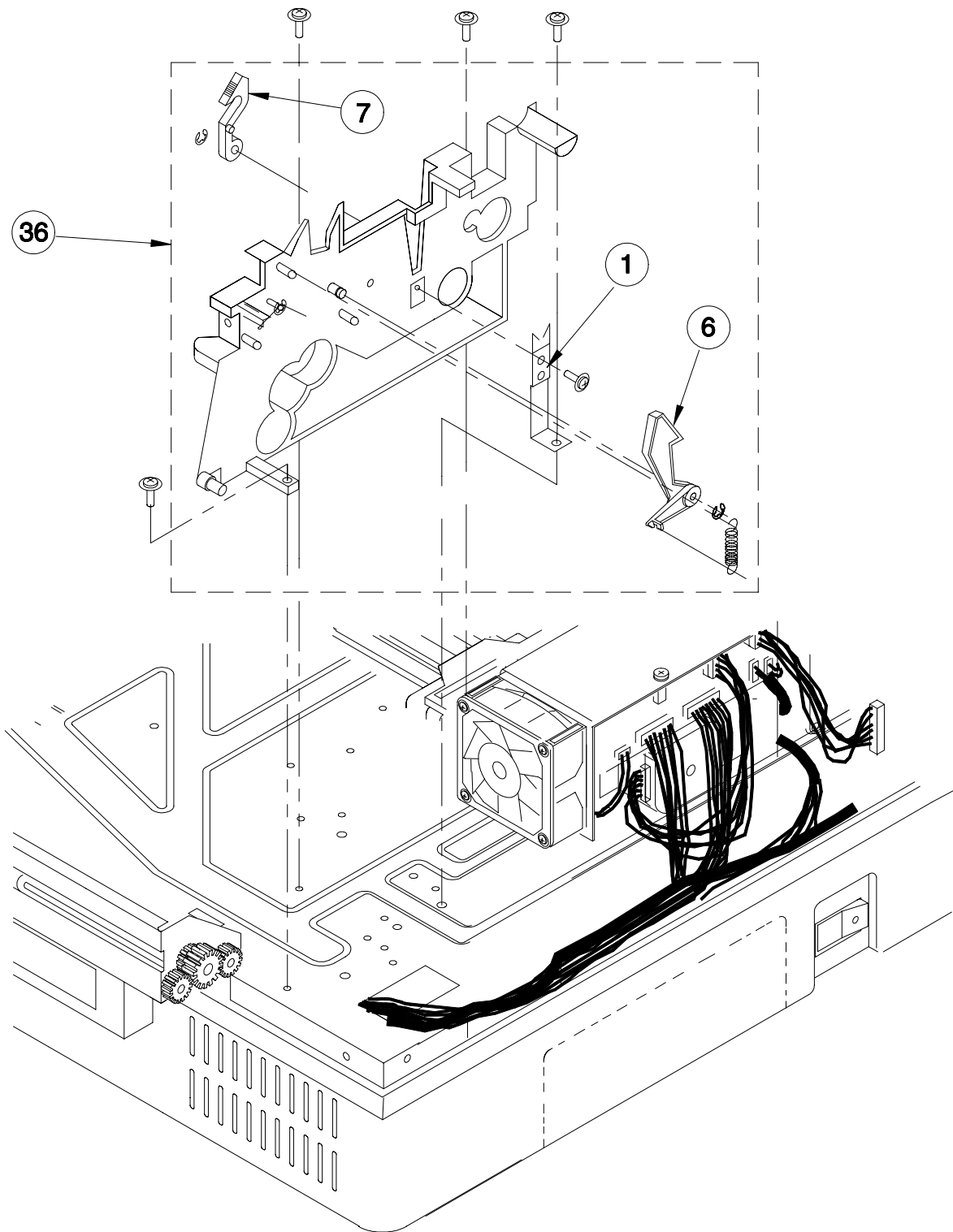


Figure 6. Right Frame Assembly

PD1-J1

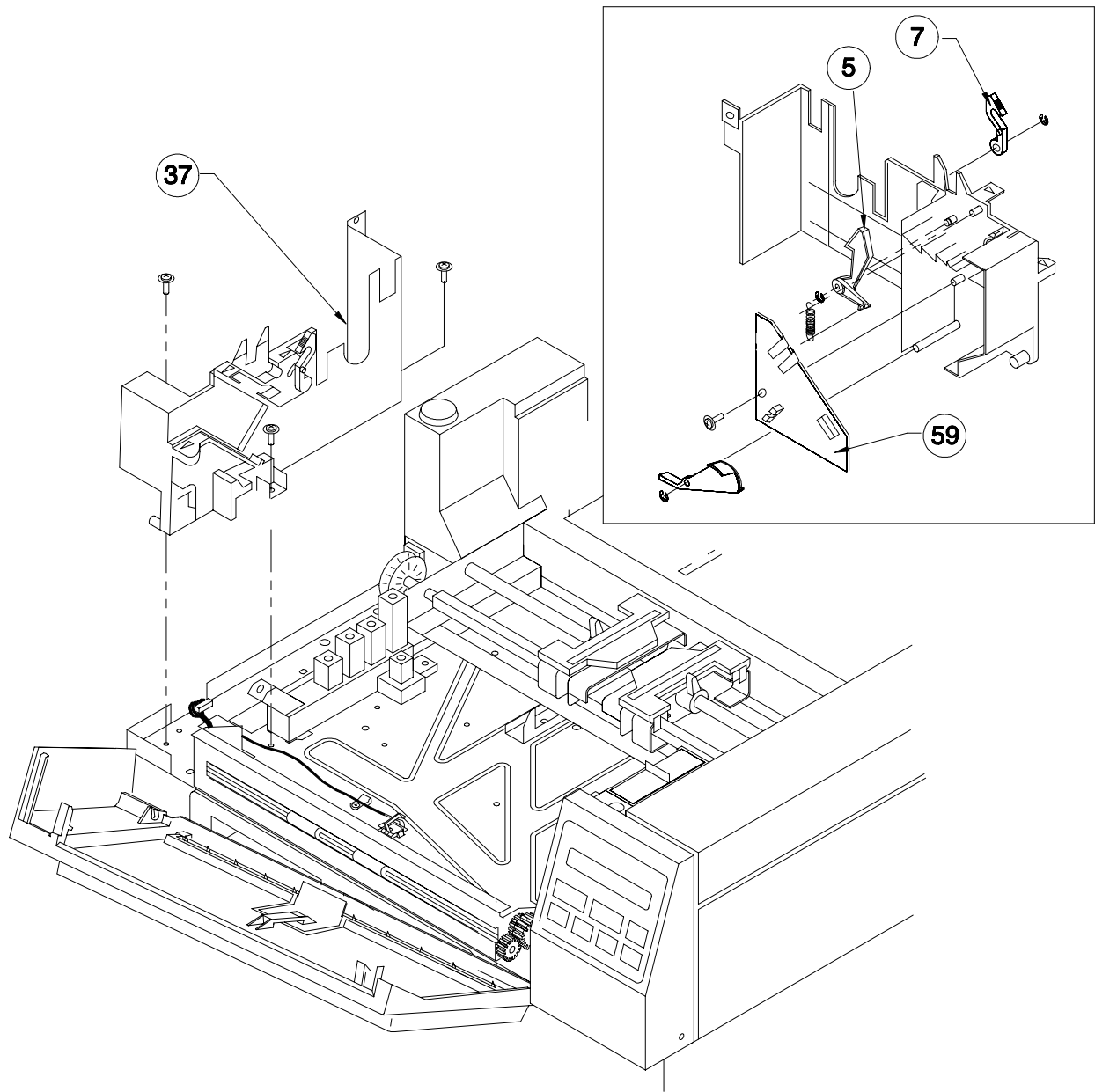
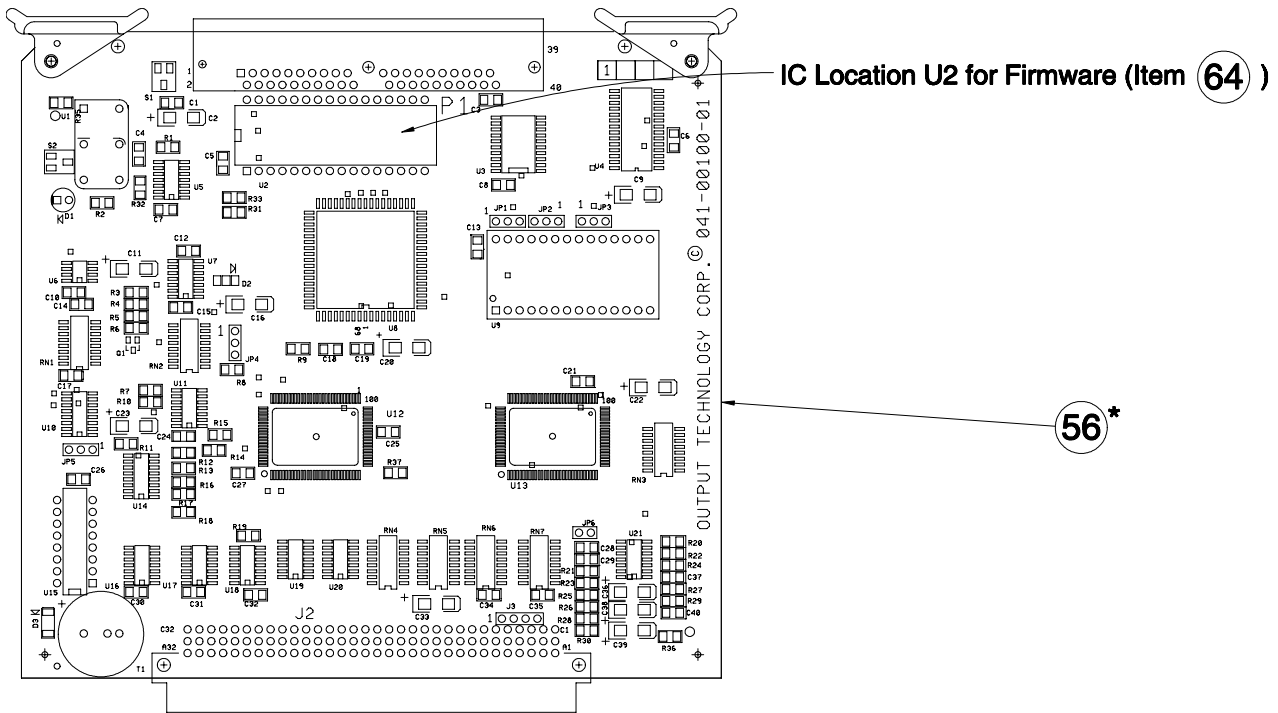


Figure 7. Left Frame Assembly

PD1-K1

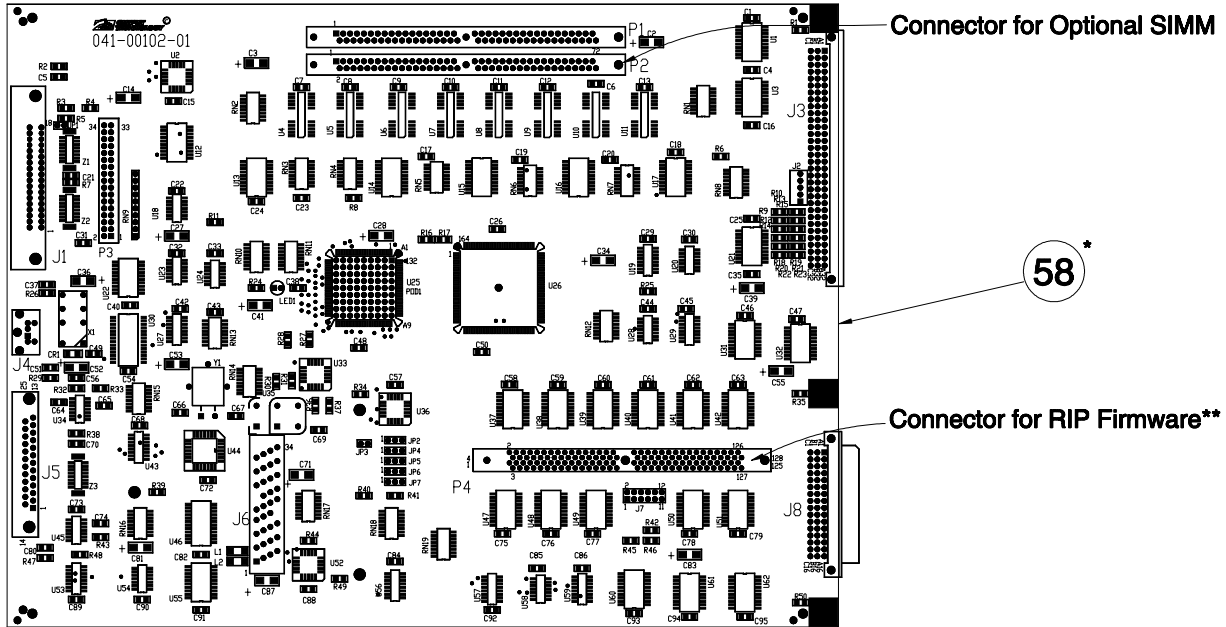


* PCB does not contain firmware.

Figure 8. Engine Controller PCB

PD1-

M1



* PCB does not contain firmware.
 ** See Figure 10 for firmware.

Figure 9. RIP Controller PCB (Without Firmware)

PD1-N

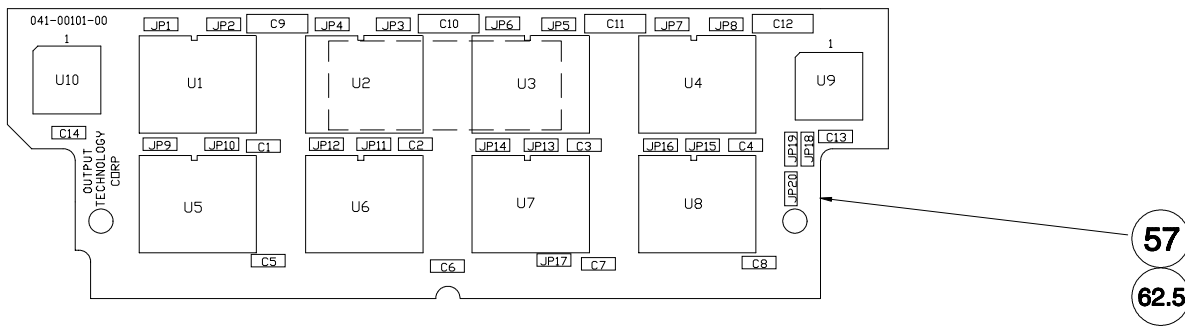


Figure 10. RIP Firmware (DIMM) PCB

PD1-O1

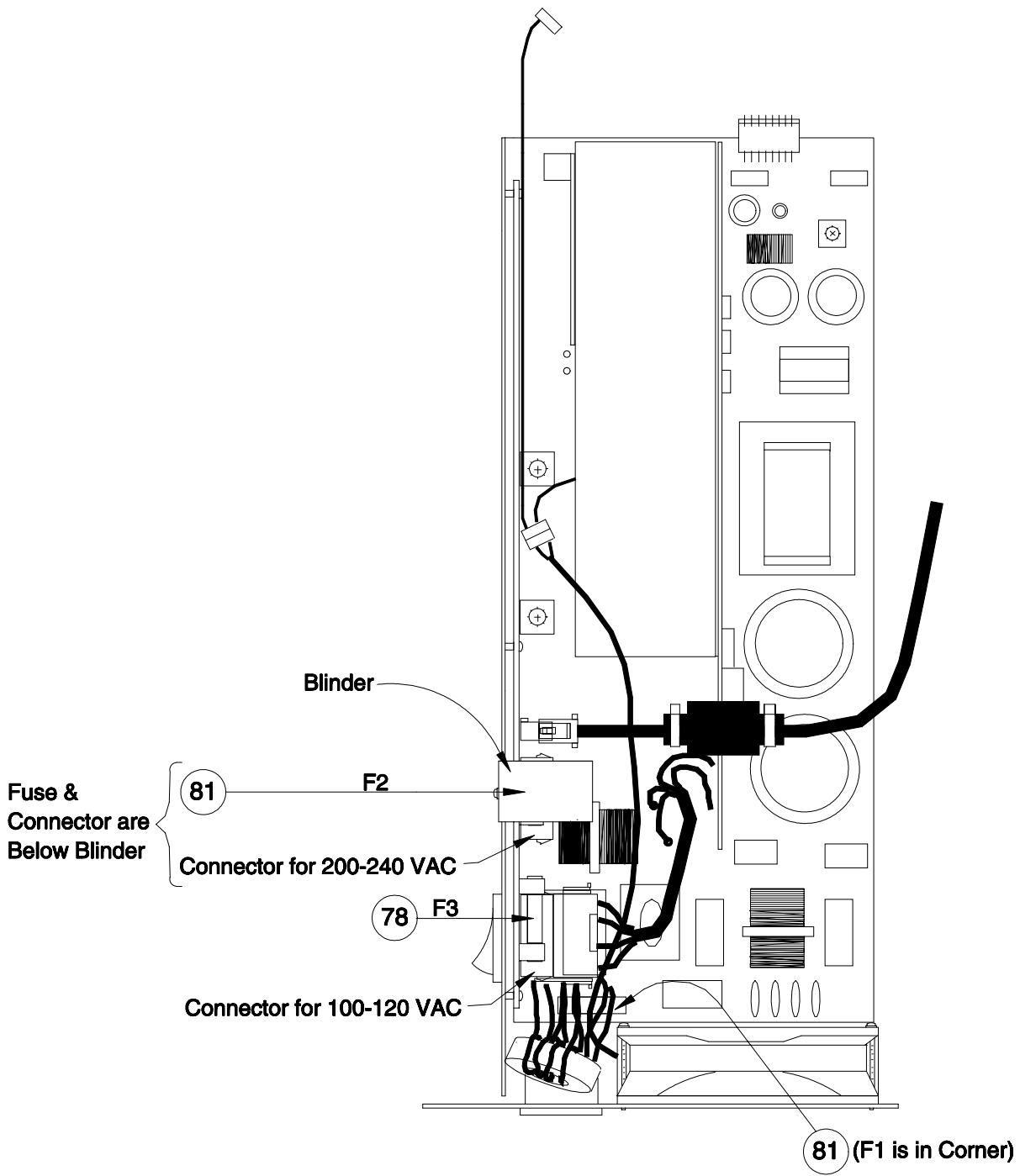


Figure 11. Low Voltage Power Supply

PD1-L1

